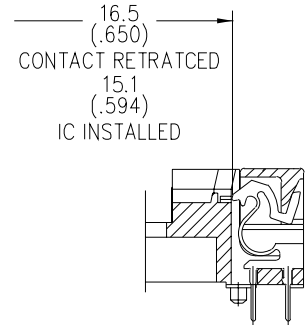
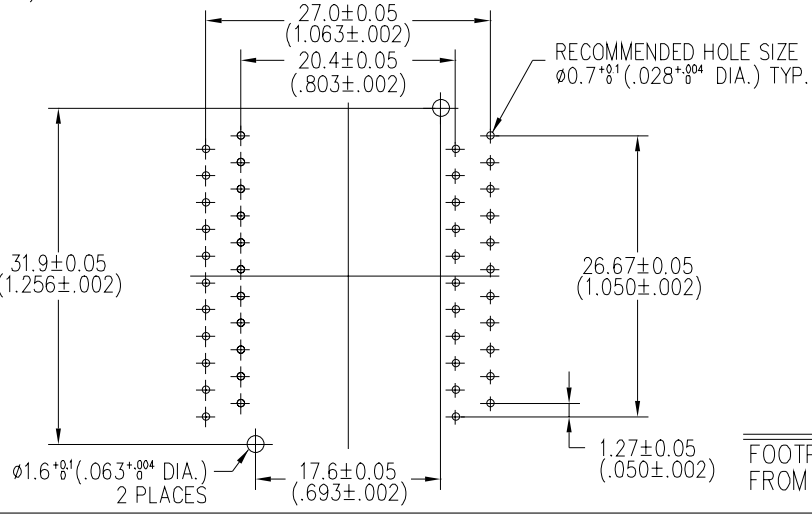
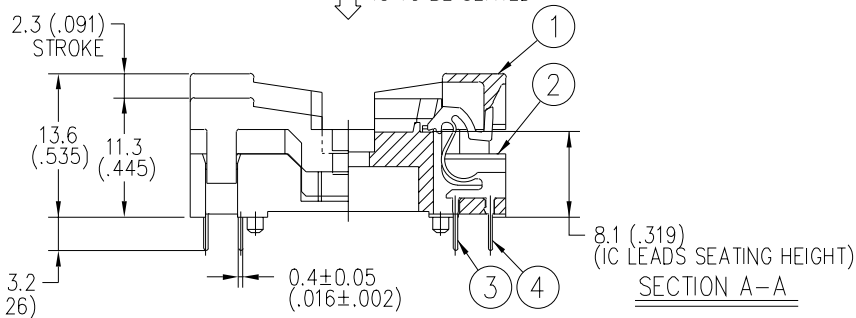
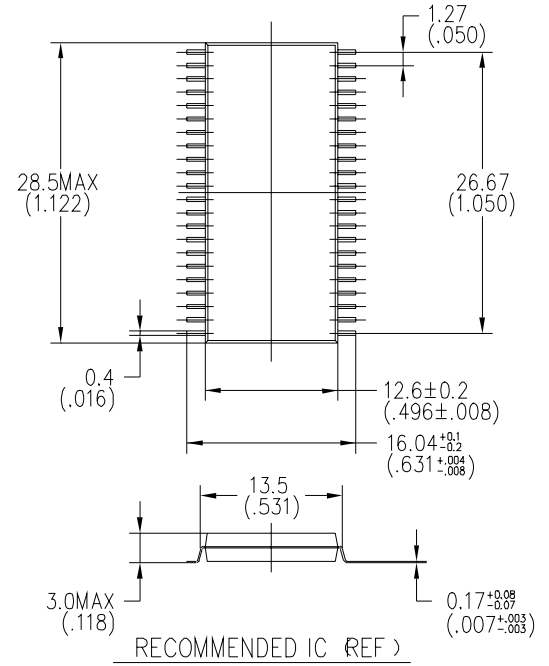
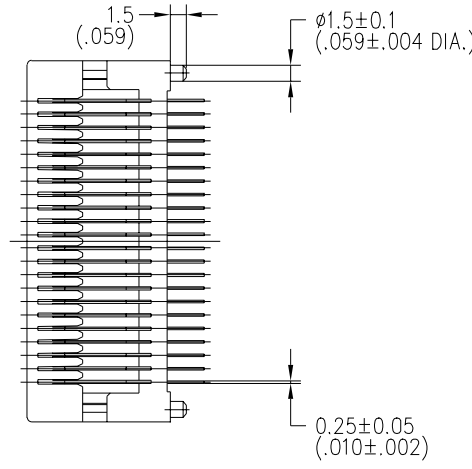
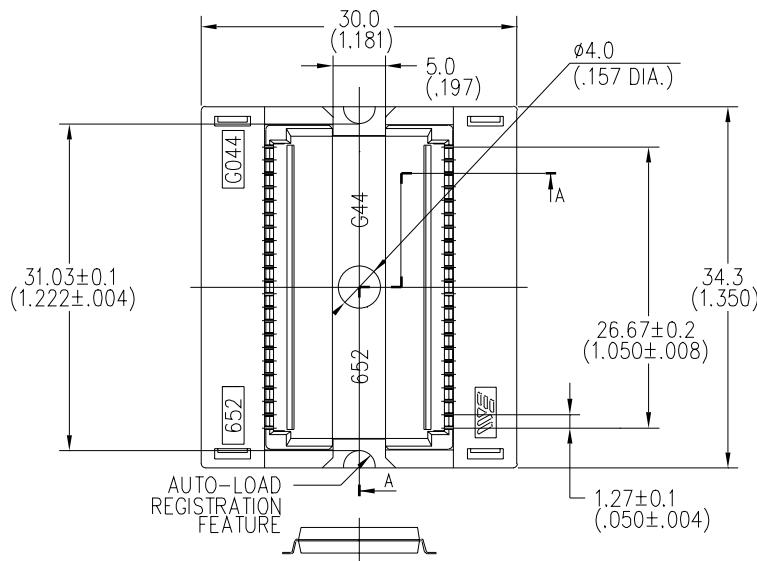



DATE	ECO NO	DESCRIPTION	BY
Oct 4 1993	DCN 93025	Revise	A.K
Nov 9 1993	DCN 93029	Revise	K.S



Performance.

1. Insulation Resistance : 1000 MΩ min. at 500V.D.C
2. Dielectric Withstanding Voltage : 600 V.A.C (RMS)
3. Contact Resistance : 30 mΩ max. at 20 mV max.
4. Temperature Range : -40°C ~ +150°C

④	CONTACT- (2)	Be Cu	22	PLATING : Au
③	CONTACT- (1)	Be Cu	22	PLATING : Au
②	BASE- 44P	PEI	1	COLOR : BLACK
①	COVER- 44P	PEI	1	COLOR : BLACK
P.NO	PART DESCRIPTION	MATERIAL	QTY	NOTE
GENERAL TOLERANCES ±0.3 (±.012)				
UNIT	SCALE	ANGLE	 WELLS JAPAN LIMITED ウェルズ・ジャパン株式会社	
mm (in.)	2 / 1	3rd.		
DRAWN	10 / 1 / '93			
CHECKED	10 / 4 / '93			
APPROVED	10 / 4 / '93		TITLE SOP 44P SOCKET DWG NO. 652G0442211	

FOOTPRINT
FOOTPRINT AS VIEWED LOOKING DOWN FROM TOP OF SOCKET